

# HVPA50 & HVPA600

- Transmitter for SIP Fuchs, SIP256C and Chameleon Systems

Spectral Induced Polarization

Geophysics



## HVPA50

### Technical Specifications:

- Frequency range: DC - 20 kHz
- Maximum Output Power: 50 Watt
  - Type 1:  $\pm 400$  V,  $\pm 125$  mA
  - Type 2:  $\pm 200$  V,  $\pm 250$  mA
- Power supply: 12 V (Battery)
- Weight: 5 kg
- Casing: 40 x 25 x 50 cm<sup>3</sup>

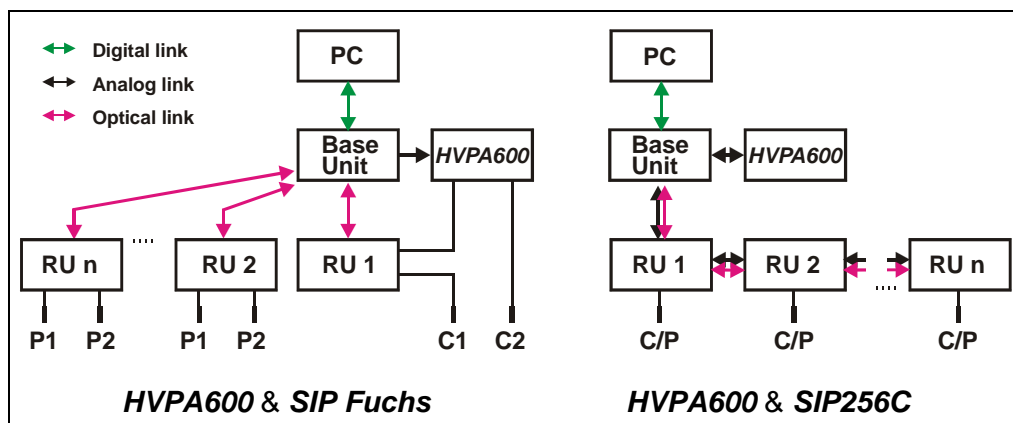


## HVPA600

### Technical Specifications:

- Frequency Range: DC - 20 kHz
- Maximum Output Power: 600 Watt
  - $\pm 400$  V,  $\pm 1500$  mA
- Power supply: 230 VAC, 50/60 Hz
- Weight: 40 kg
- Casing: 65 x 60 x 60 cm<sup>3</sup>

The two High-Voltage Transmitters *HVPA50* and *HVPA600* expand the operating range of our Geoelectrical Instruments: *SIP-Fuchs*, *SIP256C* and *CHAMELEON*. For small and medium size configuration the *HVPA50* is sufficient in most cases. For medium and large size configurations we recommend the more powerful type *HVPA600*. The handy and battery powered Transmitter *HVPA50* is available in two versions. As separate unit in a ruggedized plastic casing and as part inside our Geoelectrical Equipment (see figure below).



Rev. 101015